



Weatherfold 4s Window & Servery 35

Brio Australia
 P: +61 2 87186718
 W: brio.com.au
 E: brio.sales@allegion.com

Brio UK
 P: +44 191 2291224
 W: briouk.com
 E: brio.sales.uk@allegion.com

Brio USA
 P: +1 585 3195599
 W: briouga.com
 E: brio.sales.usa@allegion.com

Codes

B WS 1 - 35 S H SS ———— Finish: SS (Satin Stainless), PS (Polished Stainless)
 Hinge Type: H Type Non-Mortice hinge, M Type Mortice hinge.
 Bearing Type: S (Stainless Steel Bearing)
 Load Capacity: 35kg (77lbs) panels
 Set No: 1F (Pivot Set), 2L/R (End Hanger Set Left/Right),
 2F (End Hanger Set No Guide), 4 (Intermediate Hanger Set),
 4F (Intermediate Hanger Set No Guide), 3 (Hinge Handle Set),
 5 (Hinge Set), 6 (Offset Hinge Set), 7 (Offset Hinge Handle Set)

Brio Weatherfold 4s

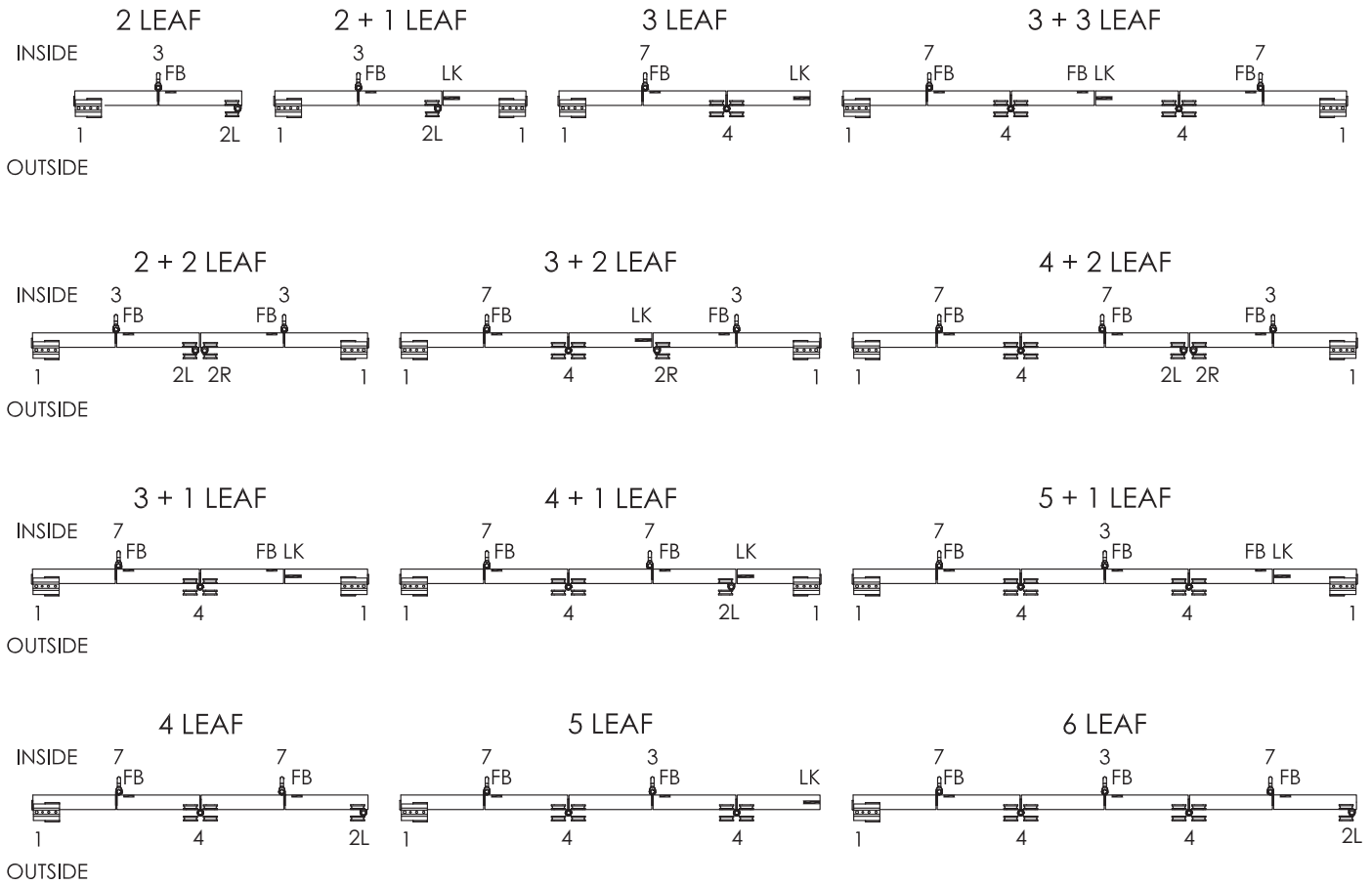
Sets. No finishes shown

| | | | | | | |
|-------------------------|--------------------------|--------------------------|--------------------------|--------------------------|--------------------------|--------------------------|
| <p>BWS1F-35H</p> | <p>BWS2L-35SH</p> | <p>BWS2R-35SH</p> | <p>BWS2L-35SM</p> | <p>BWS2R-35SM</p> | <p>BWS2F-35SH</p> | <p>BWS2F-35SM</p> |
| <p>BW3-35H</p> | <p>BW5-35H</p> | <p>BW6-35H</p> | <p>BW7-35H</p> | <p>BWS4-35SH</p> | <p>BWS4F-35SH</p> | |

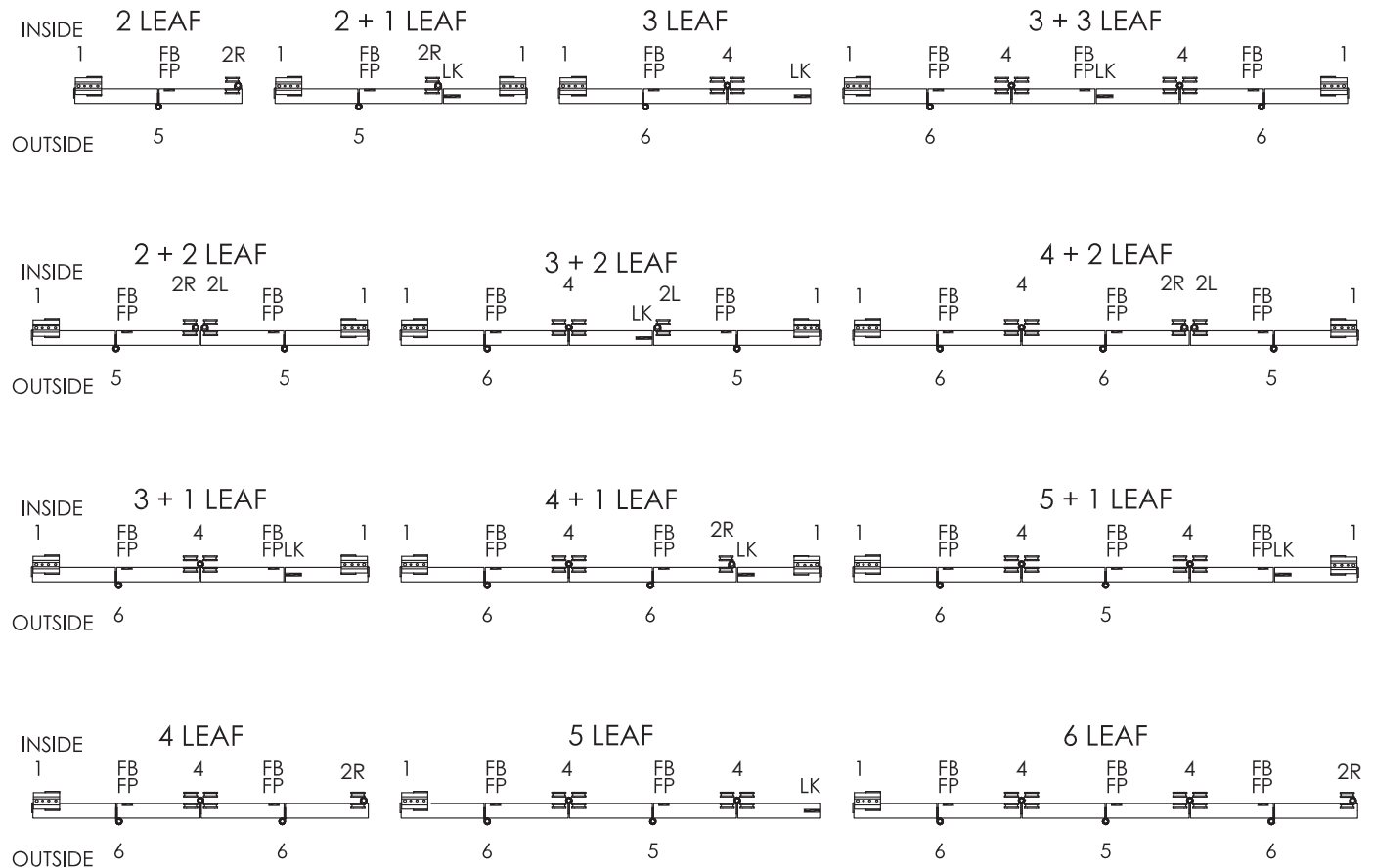
Door Hardware Set Orientation

FB = Flush Bolt, FP = Flush Pull, LK = Lock, left systems shown

OUTWARD OPENING (Window 6 panels each way. Servery 2 panels each way.)

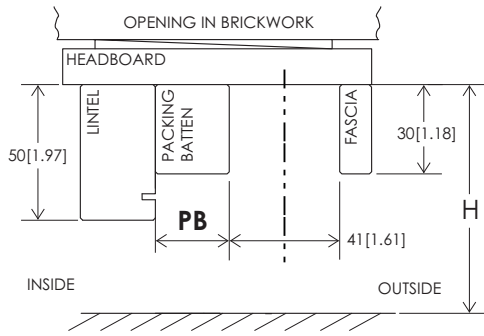


INWARD OPENING (Window 6 panels each way. Servery 2 panels each way.)

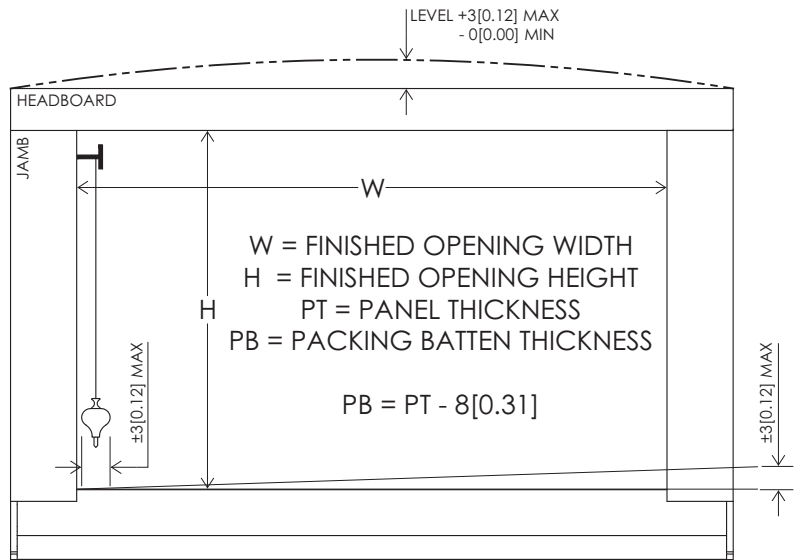
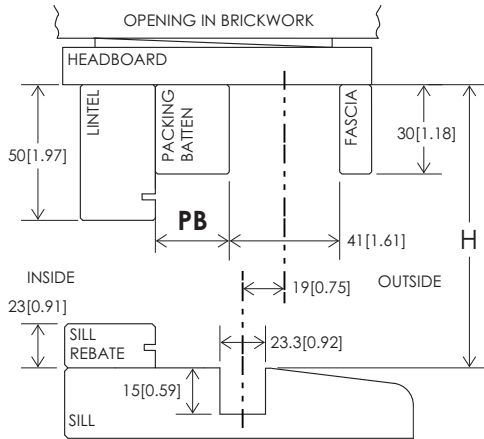


Opening Preparation outward opening system shown, dimensions shown in mm[inches]

SERVERY - NON-GUIDE SYSTEM



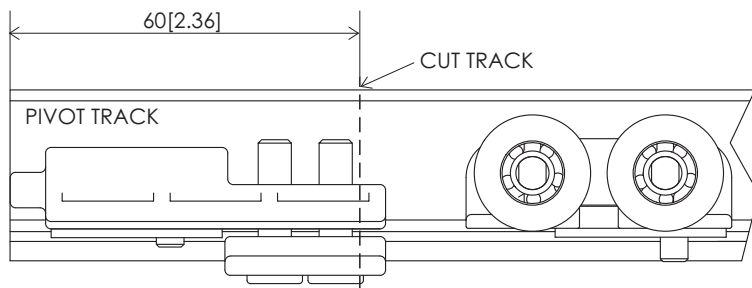
WINDOW - GUIDE SYSTEM



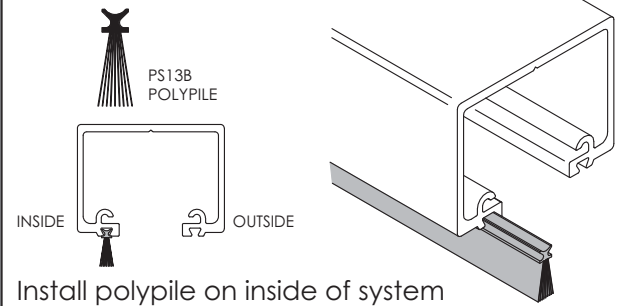
Note: Sill shown for external window application with full (4) rebates.

Track Preparation track and chanel cut to length 'W' (finished opening width)

Allows access to hangers by removing track section

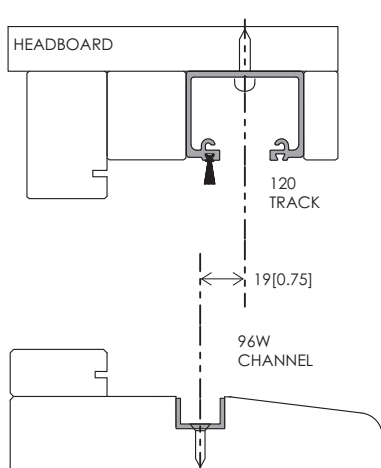


Insert Polypile

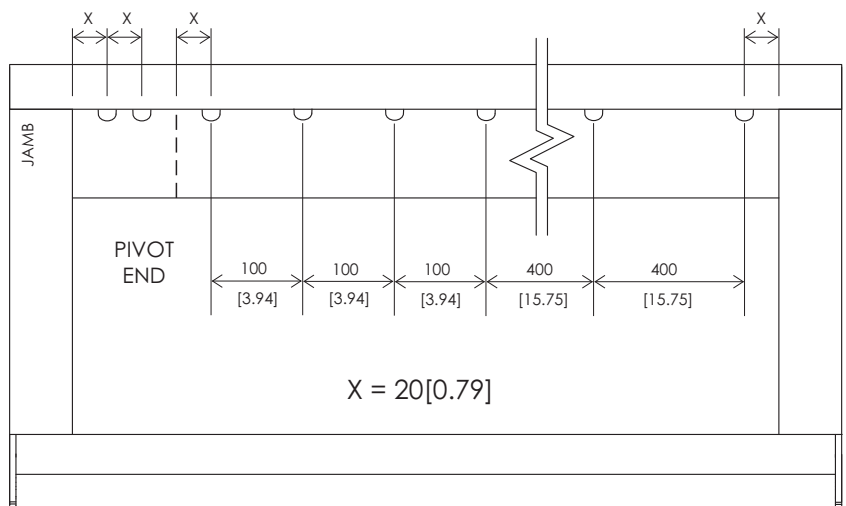


Install Track & Channel

Window



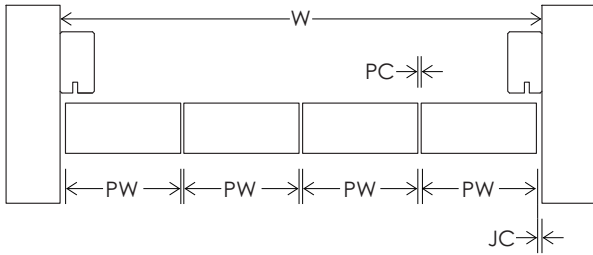
Countersink and screw fix channels at 400[15.75] intervals.



Fix track with 8G screws. After initial 6 fixings, fix screws at 400[15.75] intervals.

Panel Size Calculation

Brio Weatherfold Window & Seryery allow for equal size panels

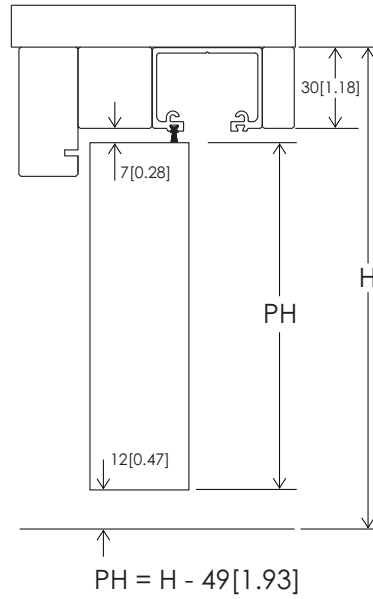


N = No. of Panels
 PW = Panel Width
 JC = Jamb Clearance = 6[0.24]
 PC = Panel Clearance = 3[0.12]

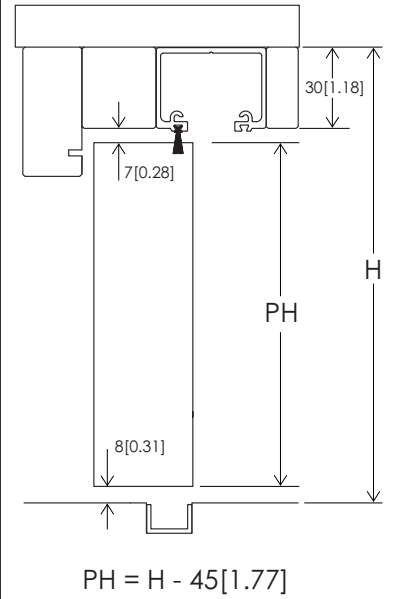
$$PW = \frac{W - [PC(N-1) + 2(JC)]}{N}$$

JC based on panels 600[23.62] wide and 40[1.57] thick.

Seryery:
 PH = Panel Height



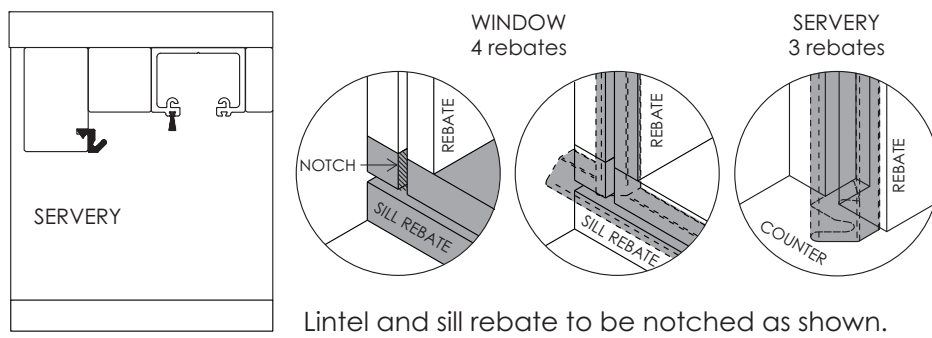
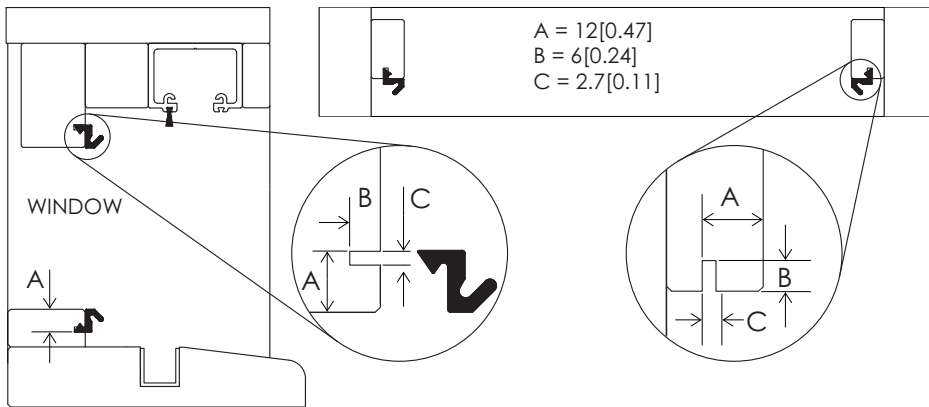
Window:
 PH = Panel Height



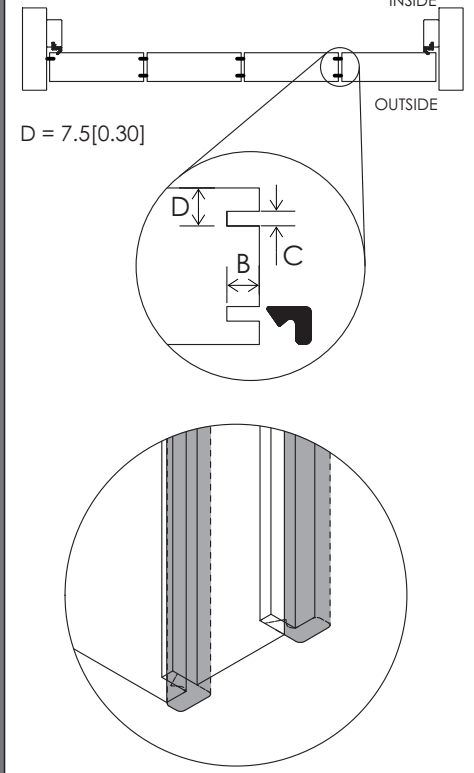
Seal Preparation

For exterior systems. Left, outward opening system shown

Frame - AQ21 perimeter seals to butt against each other in all corners



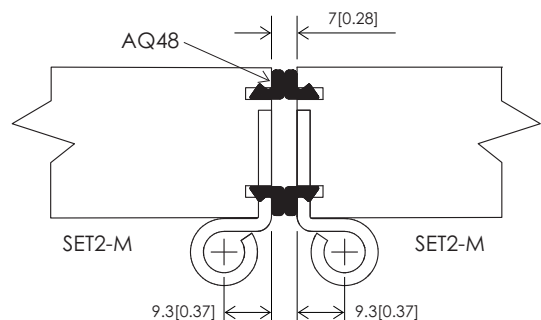
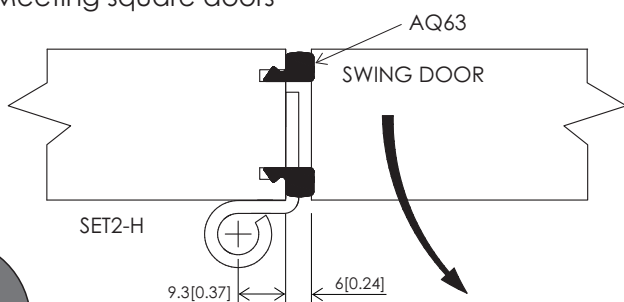
Panel - AQ48



Meeting Door Selection

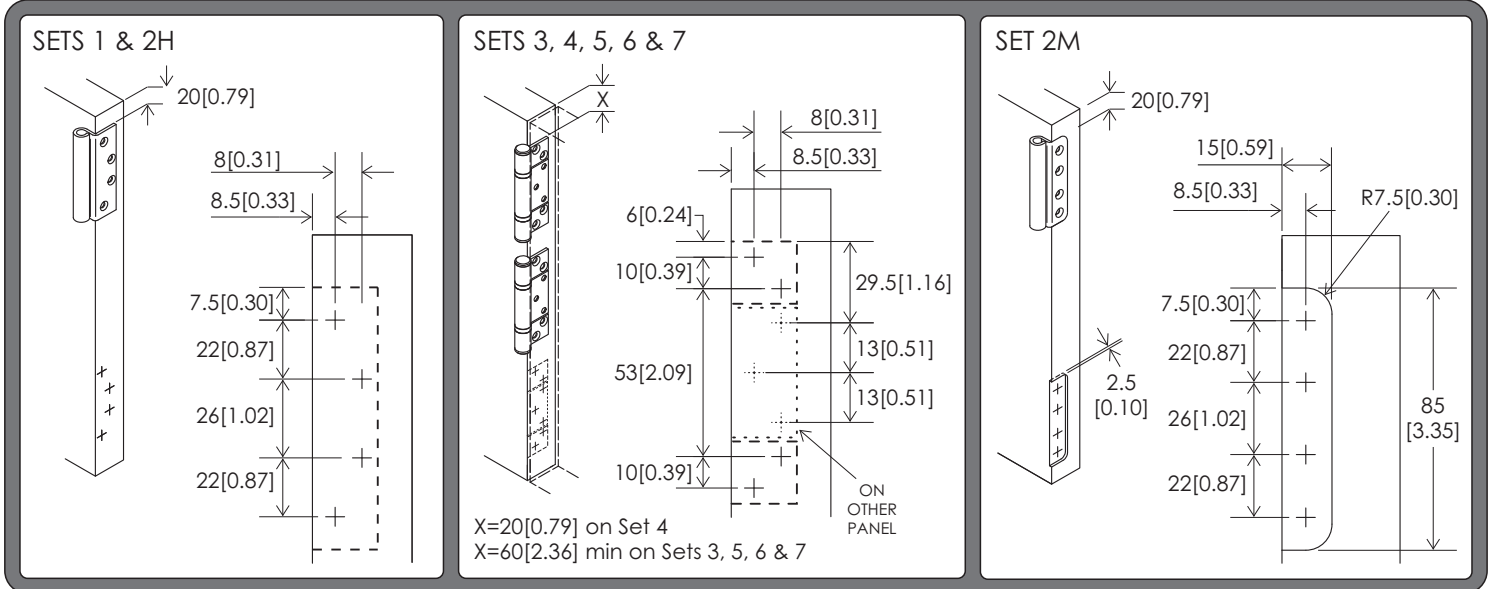
Panel thickness 30[1.18] minimum

2 Meeting square doors



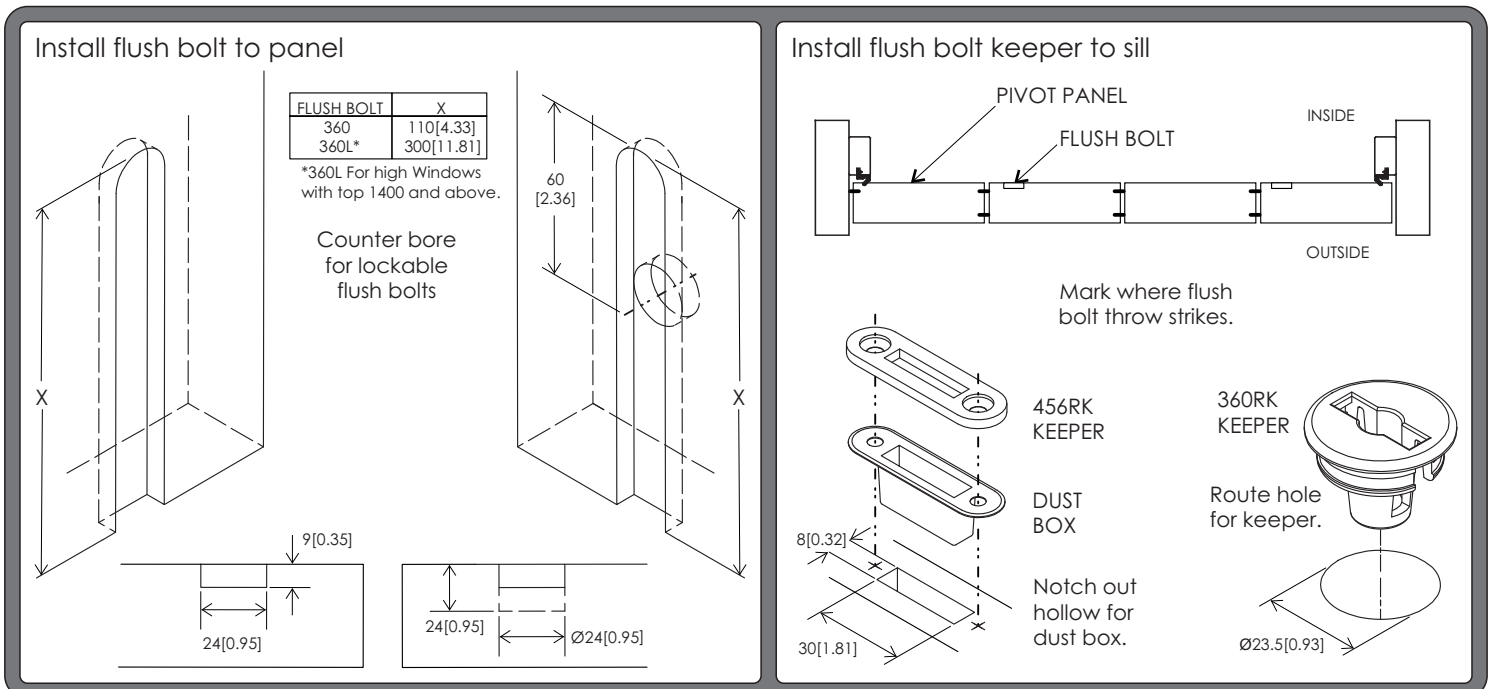
Hinge Installation

pilot hole of $\text{Ø}2.5\text{mm}[0.12"]$ recommended. Panel thickness 30[1.18] minimum.

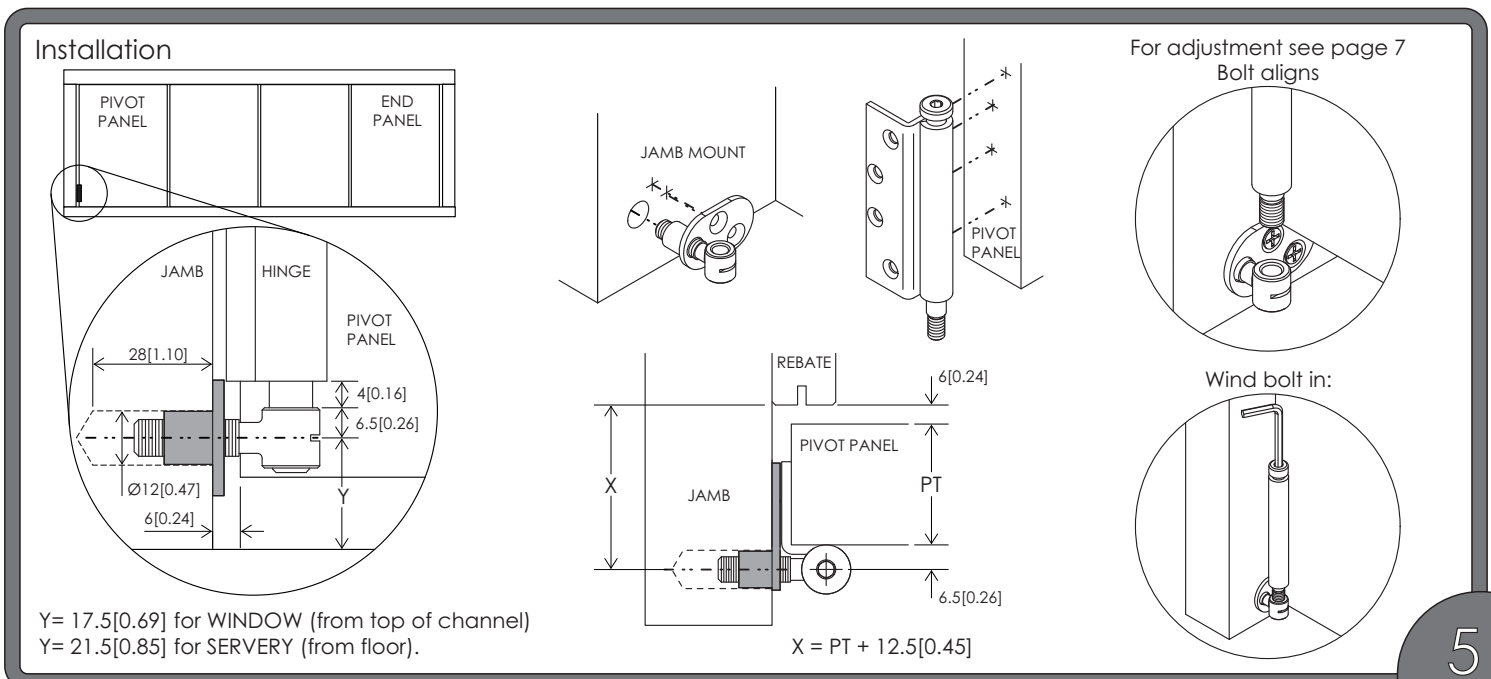


Flush bolt Position

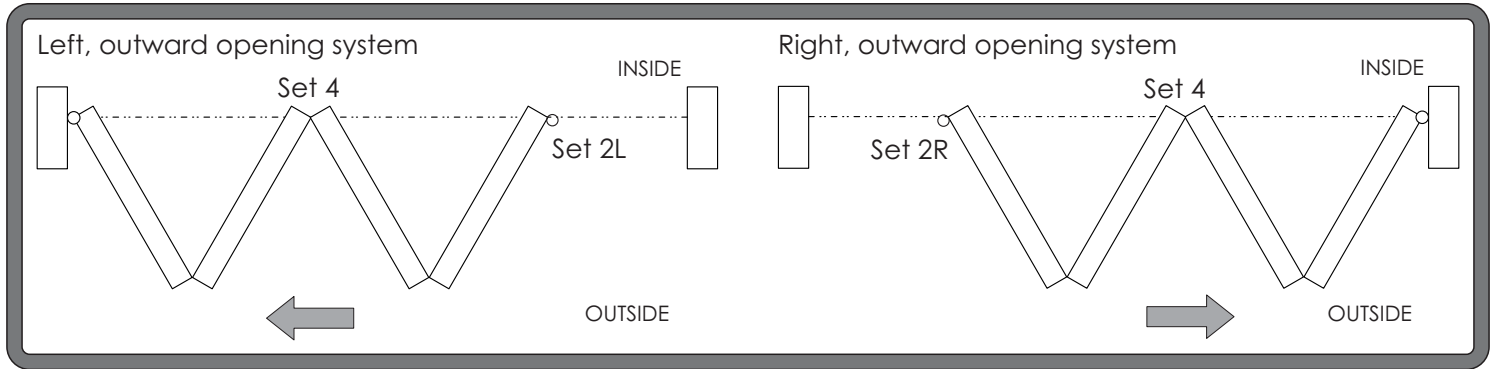
see page 2 for flush bolt location for all configurations, router available



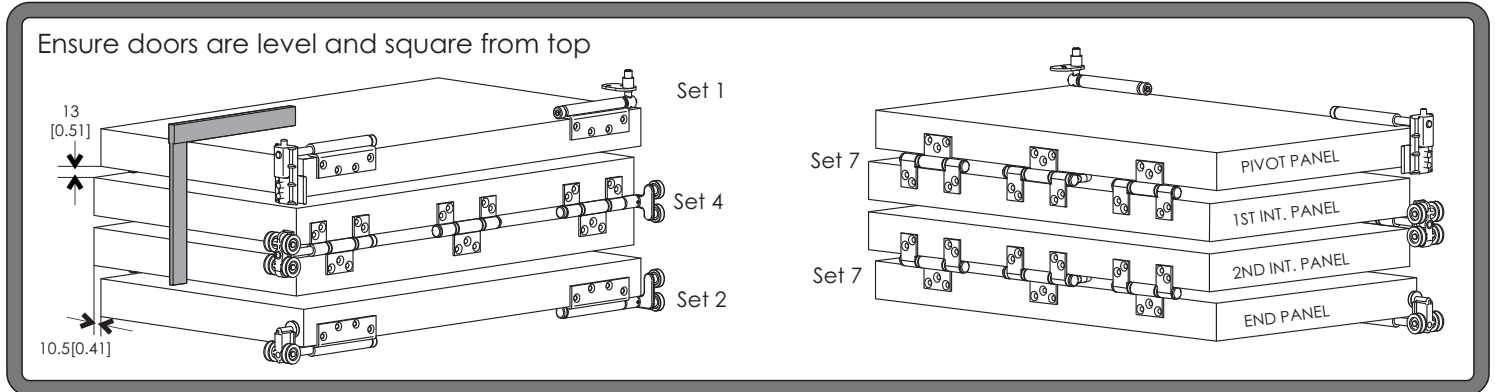
Installation of Bottom Pivot



Determining System Orientation



Attaching Hardware to Panels recommended before installation



Installing Hardware and Hanging Panels clean down inside of track and channel

Insert rollers through opening in correct order.

JAMB

Fix Pivot Track section.

JAMB

PIVOT TRACK

Lock top pivot into position AGAINST JAMB

JAMB

CLAMP PLATE

CAP SCREWS

Bring pivot panel to top pivot

TRACK

CHANNEL

For Window Application

Bottom pivot hinge & hinge set 7 attached to panel

Bring 1st int. panel to pivot panel

Hinges of int. set attached. For Sery lower hinge also attached

Fix int. hanger to int. panel

Attach int. guide to int. panel for Window application

Bring 2nd int. panel to the int. hanger with hinge set 7

Bring end panel to hinge set 7

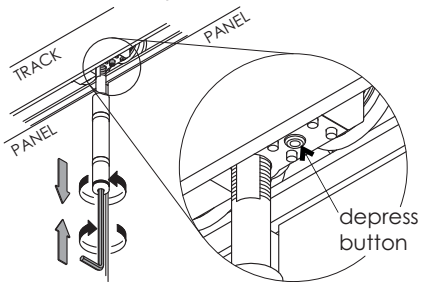
Fix end panel to end hanger

Attach end guide to end panel for Window application

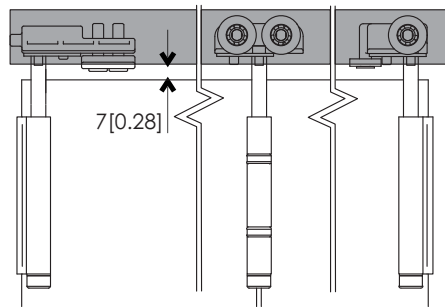
Adjustment

Hanger bolt locking block applied to all hangers and top pivot

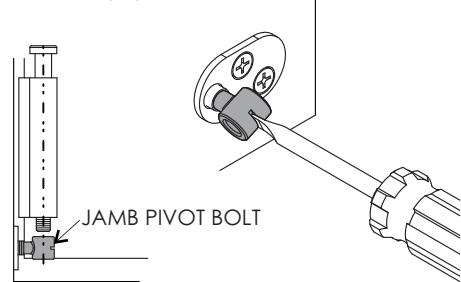
To adjust height, depress button and wind bolt. Bolt locks off automatically on flats.



Adjust all hangers and top pivot until panels are level with track

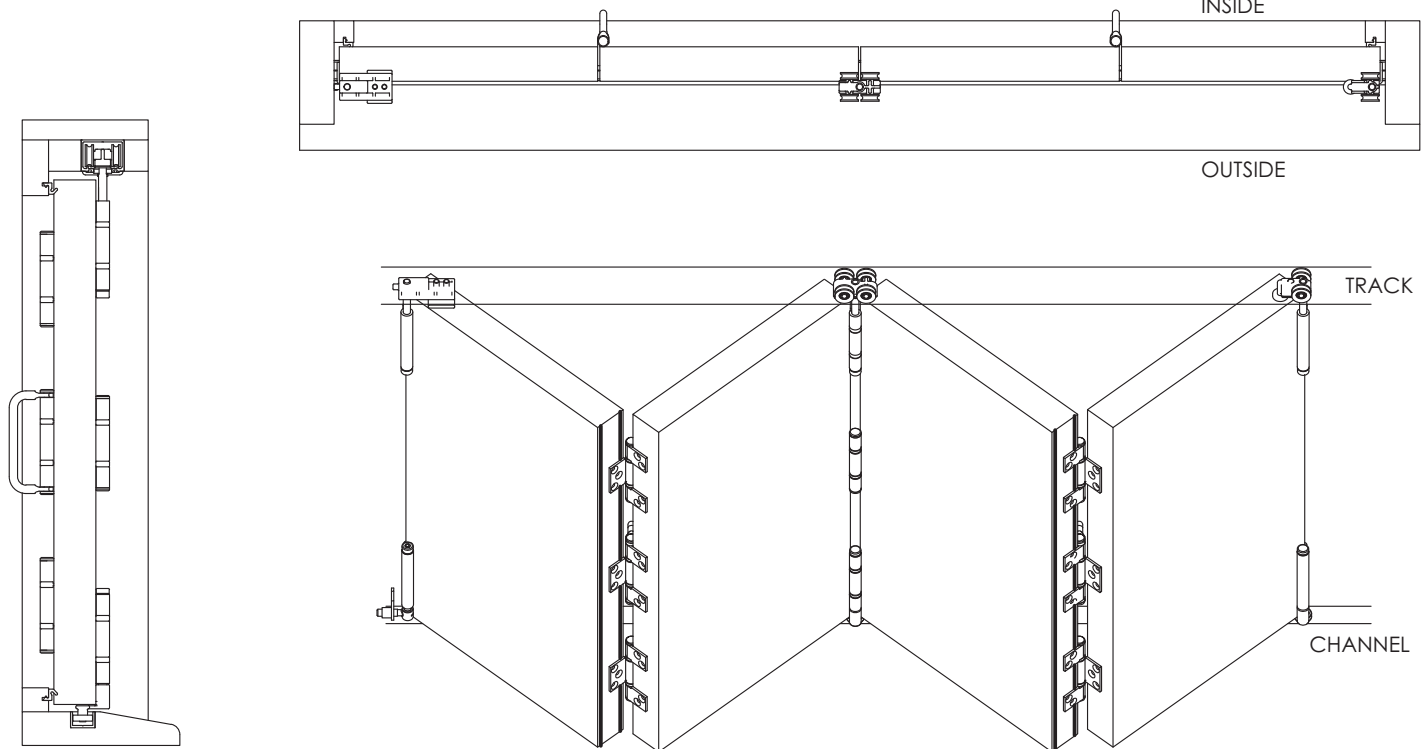


Wind jamb pivot bolt in or out until it aligns with hinge bolt on panel after top pivot is set.

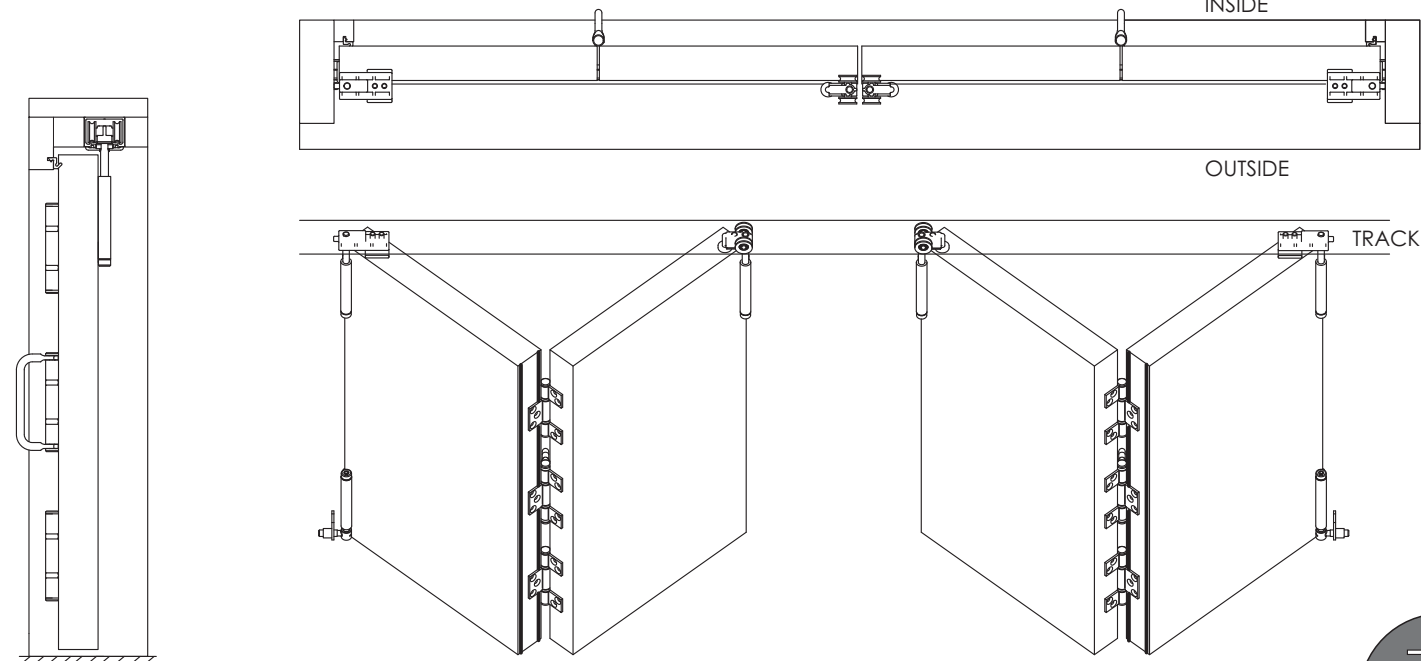


System Overview

WINDOW



SERVERY



Care and Maintenance

Hardware is subject to deterioration from everyday use and from the environment that it is in. In particular, it is important that routine maintenance be carried out in harsh coastal or marine environments and industrial applications.

General

Inspect all fixing bolts for tightness every six months, including those securing brackets. Tighten if necessary. Routinely check for wear and if excessively worn, the part should be replaced.

To help prevent surface corrosion, Brio® recommends washing regularly; even stainless steel finishes in coastal environments may show signs of surface corrosion if not washed regularly. Sheltered areas that are not rain washed are particularly susceptible. Wash with soap or mild detergent and warm water followed by rinsing with clean cold water and wipe dry.

As a guide, if a window or door requires washing then wash the hardware, however Brio® recommend for marine and industrial environments washing a minimum of every 3 months and 6 months for general environments. In coastal or marine environments Brio® recommends applying a light application of corrosion preventative such as CRC Marine 66 or Inox® for Marine, to all surfaces and using a dry cloth to remove excess. When using lubricant or corrosion protection compounds, be careful to avoid the adjacent surfaces and always follow the manufacturer's instructions.

Track

Keep track free from obstruction and excessive dirt or water. Visible surfaces should be cleaned using a damp cloth and mild detergent, then wiped dry.

Where fitting to the outside of the building, it is recommended that the appropriate track is specified.

Hangers & Pivots

All hangers are fitted with lubricated ball-bearings or plain bearings, requiring no greasing. If doors 'settle' and door clearance is reduced causing friction, raise the door by the hanger adjustment nuts.

Wash as per the above recommendation and apply a light application of corrosion preventative to all surfaces, using a dry cloth to remove excess.

Guides

Guide roller and guide channel must be kept clear and free of obstructions.

Wash as per the above recommendation and apply a light application of corrosion preventative to all surfaces, using a dry cloth to remove excess.

Rollers

All bottom rails should be free from obstruction and excessive dirt or water. Visible surfaces should be cleaned using a damp cloth and mild detergent, then wiped dry. All rollers are fitted with sealed precision bearings requiring no maintenance.

Hinges

Visible surfaces should be cleaned using a damp cloth and mild detergent, then wiped dry. Apply a light application of corrosion preventative to all surfaces, using a dry cloth to remove excess. Repeat at intervals no greater than 3 months.

Flush Bolts

Visible surfaces should be cleaned using a damp cloth and mild detergent, then wiped dry. Apply a light application of lubricant to internal mechanisms and bolt using a suitable nozzle-spray.