



*Trust your home to Schlage.*

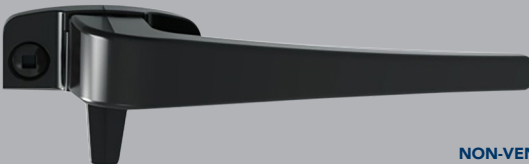
# Schlage **Window Fasteners**



**FIXED WEDGE**



**VENTED**



**NON-VENTED**

- For use on aluminium windows
- 32mm pitch suitable for retrofit
- Vented and non-vented options include 2mm, 3mm and 4mm wedge options for various window fitments
- Face fix with screws provided
- Left or right handed options
- Performance tested for 10,000 cycles



Revive your windows with our range of quality window fasteners, combining **style and functionality.**



**VENTED**



Left hand	SWF240511	SWF240512
Right hand	SWF240509	SWF240510



**NON-VENTED**



Left hand	SWF240507	SWF240508
Right hand	SWF240505	SWF240506



**FIXED WEDGE**



Left hand	SWF240515	SWF240516
Right hand	SWF240513	SWF240514



Visit [schlage.co.nz](http://schlage.co.nz) or scan the QR code for more information.

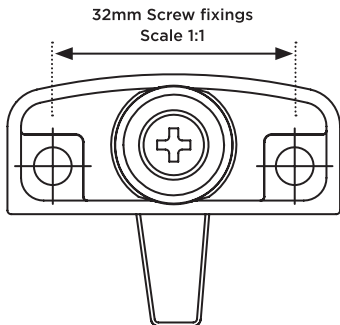
**Right handed fasteners featured**

**Finishes; B = Black W = White**

Check our window fastener will fit your existing holes.

Position your existing window fastener against this drawing. If the screw holes align, the window fastener will be suitable for installation.

The standard screw spacing for New Zealand homes is 32mm.



**ALLEGION (NEW ZEALAND) LIMITED**

Freephone 0800 477 869  
 Email [nzinfo@allegion.com](mailto:nzinfo@allegion.com)  
[www.allegion.co.nz](http://www.allegion.co.nz)

© Allegion 2024



**ALLEGION™**

WINDOW0225