



# Form Series

Door furniture



Outstanding quality, coupled with a wide range of lever styles and exquisitely finished in the rich tones of satin stainless steel are the key features of the Schlage Form Series. This contemporary lever range has a distinctively European feel. Blending form with function, the Schlage Form Series allows you to express your individuality with lasting integrity. Beautifully designed down to the last detail, this series is manufactured from high quality stainless steel for high performance, increased durability, good looks, and great feel.

The Schlage Form Series has a round rose with a range of solid levers to choose from.

The Schlage Form Series features new QuickFix™ technology, which revolutionises the fixing mechanism for faster door hardware installation.



## Features

- Constructed of quality components with solid stainless steel levers and outer roses (US304 grade)
- Built-in privacy push-button for quick installation and ease of use
- The Form Series is suitable for use on approved fire core door assemblies when used with fire rated mortice locks or latches
- Through bolts provide secure fixing, concealed by a round rose cover for aesthetic appeal
- Square outer rose accessory available for all lever profiles
- Features new QuickFix™ technology - install door lever in under 30 seconds after installation of the latch and strike
- All levers are non-handed
- Can be used with Schlage tubular latches, ME series mortice locks, or 990 series mortice locks
- Alpha, Costa, and Telo levers are AS1428: 1-2009 compliant

Warranties	
Mechanical	10 years
Finish	<a href="http://allegion.co.nz/finisheswarranty">allegion.co.nz/finisheswarranty</a>

## Specification guide (lever)

Series	Function	Lever	Finish
Form ..... 7	Furniture set ..... 0 Passage set ..... 1 Privacy set ..... 2 Dummy trim ..... 3	Albo ..... AL Alpha ..... AA Angelo ..... AN Carrillo ..... CA Costa ..... CT Kanso ..... KN Marco ..... MA Moretto ..... MR Picasso ..... PC Stefano ..... SF Telo ..... TE	Satin stainless steel ..... SS

- Series**  
Series e.g. Form .....SRL7
- Function**  
Select the desired function e.g. Passage set .....SRL71
- Lever**  
Select the required lever design e.g. Angelo AN .....SRL71AN
- Finish**  
Select the desired finish e.g. satin stainless steel .....SRL71ANSS

## Specification guide (square rose)

**NOTE:** Square rose caps are sold separately to levers. Use this specification guide to order the correct square rose cap.

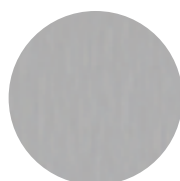
Series	Function	Rose	Finish	Handing
Form.....7	Passage set ..... 1 Privacy set..... 2	Square.....AX	Satin stainless steel ..... SS	Passage set .....<n/a> Privacy left hand.....L Privacy right hand.....R

- Series**  
Series e.g. Form .....SRL7
- Function**  
Select the desired function e.g. Passage set ..... SRL72
- Rose**  
Select the required lever design: Square ..... SRL72AX
- Finish**  
Select the desired finish e.g. satin stainless steel ..... SRL72AXSS
- Handing**  
Select the desired handing e.g. left hand ..... SRL72AXSSL

## Specifications

<b>Door type</b>	Timber or metal
<b>Door thickness</b>	Furniture set 30mm to 55mm Passage set 30mm to 50mm Privacy set 30mm to 42mm
<b>Backset</b>	60mm for passage and privacy
<b>Spindle size</b>	7.6mm
<b>Compatible locks/latches</b>	Schlage tubular latches, ME Series mortice locks, 990 Series mortice locks
<b>Fixing</b>	Concealed through fixings
<b>Materials</b>	Solid stainless steel handles, zinc die cast roses

## Finish



**SSS**

Satin Stainless  
Steel

# Testing and Compliance



**Fire Rating:**

Successfully tested on fire door assemblies in accordance with AS1905 Part1: Fire resistance doorsets. Check with fire door manufacturer prior to installation.



**Accessibility:**

Compliant to the AS 1428:1-2009 Design for Access and Mobility

**Caution:**

When door closers are installed and adjusted to meet reduced opening force requirements, there may be insufficient power to reliably close and latch the door, depending on prevailing operating conditions.

**Note:**

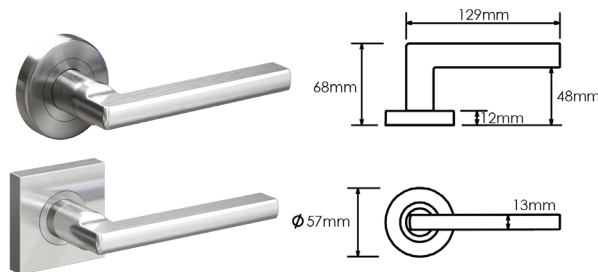
In areas of high wind pressure and/or air conditioning pressures, the LCN Automatic Door Operators are recommended.

## Functions

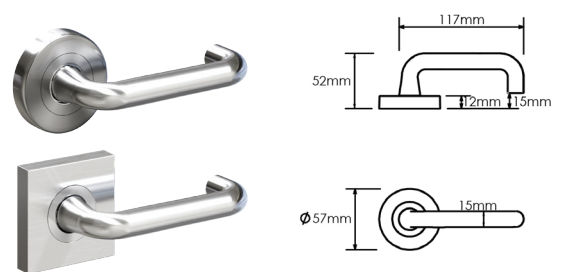
	Outside	Inside
<b>Dummy trim</b> Inactive lever which is used as a door pull or matching trim		
<b>Furniture set (no latch supplied)</b> Two levers to be used with a latch or mortice lock		
<b>Passage set (60mm backset, latch supplied)</b> Both levers always unlocked		
<b>Privacy set (60mm backset, latch supplied)</b> Internal push button to lock outside lever, with emergency release		

## Form Series lever designs

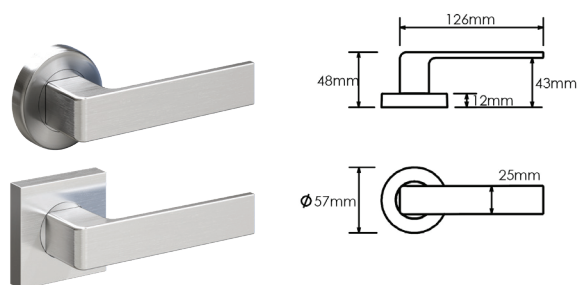
**Albo**



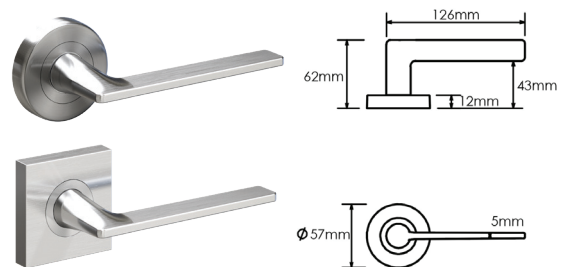
**Alpha**



**Angelo**

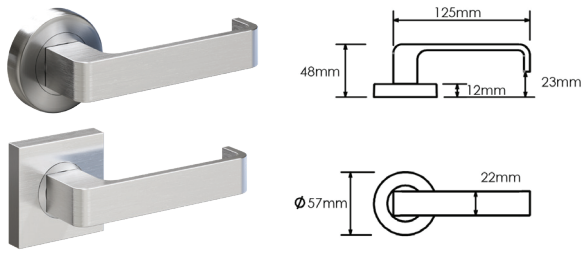


**Carrillo**

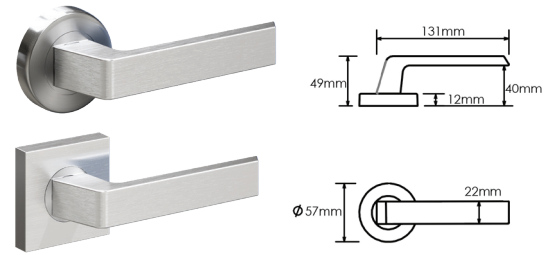


# Form Series lever designs

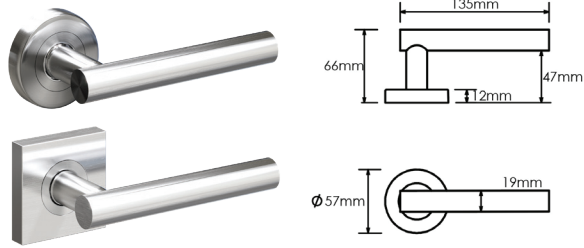
**Costa** 



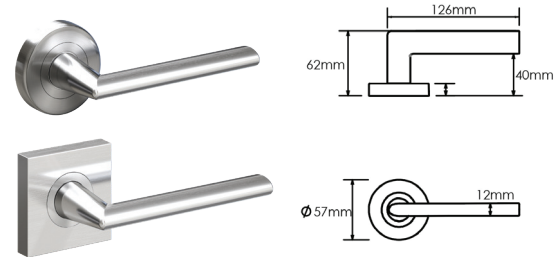
**Kanso**



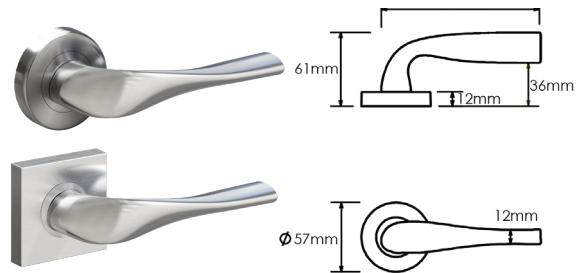
**Marco**



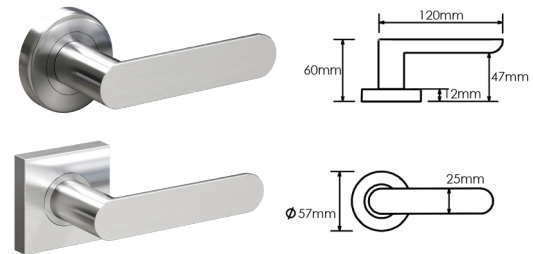
**Moretto**



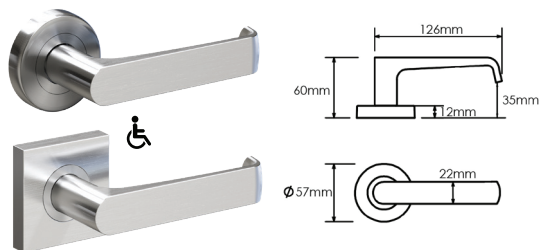
**Picasso**



**Stefano**

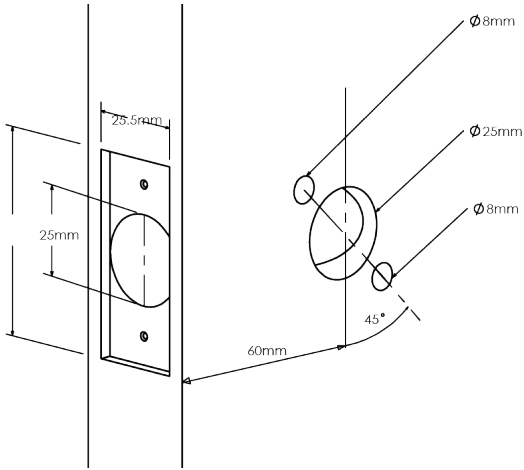


**Telo**

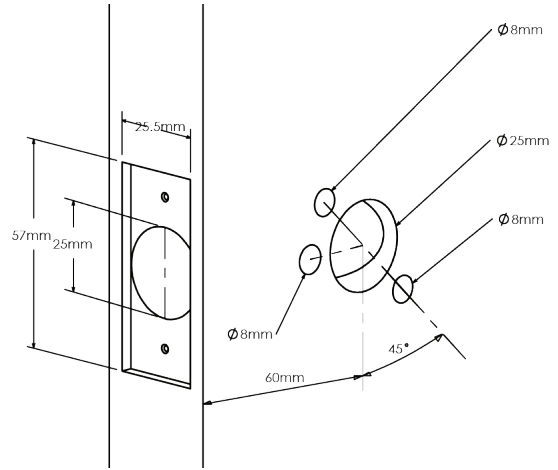


# Door preparation

## Passage door preparation



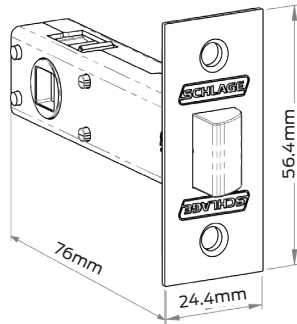
## Privacy door preparation



# Form Series accessories

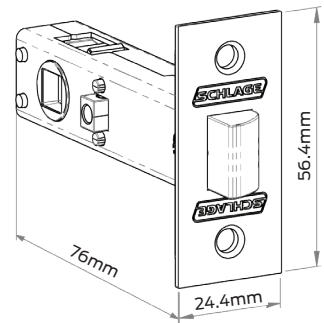
## Passage latch

60mm backset

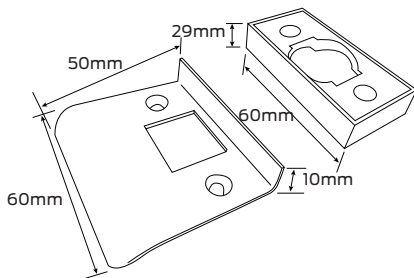


## Privacy latch

60mm backset



## Universal rebate kit



## T-Strike & Dustbox

