



R40 Series

Magnetic door holders



Fire and smoke door magnetic holder, satin chrome finished, elegant appearance. Installed on fire and smoke doors in projects where doors are required to be held in the open position for both pedestrian and general traffic, the devices have to be linked into a buildings fire/smoke alarm system.

Power is removed from the devices and the doors are released to close, preventing the spread of fire and/or smoke to other areas. The devices are fire tested to a rating of 4 hours and are supplied either 12 or 24VDC.

Features

- Holding force of up to 250kg
- 12 and 24 VDC voltage options
- Floor mount or wall mount



Warranties	
Mechanical	2 years
Finish	allegion.co.nz/finisheswarranty
Electronic	1 year

Specification guide

Model	Voltage	Finish
FSH R40 Series wall mount..... R40	12V DC -12	Satin chrome plate SCP
FSH R40 Series floor mount..... R40PVC	24V DC -24	
FSH R40 Series wall mount extended..... R40PCH		

1. Model

Select the required product code e.g., FSH R40 Series wall mount extended R40PCH

3. Voltage / Current

Select the desired voltage e.g., 12 VDC R40PCH-12

Finish



SCP

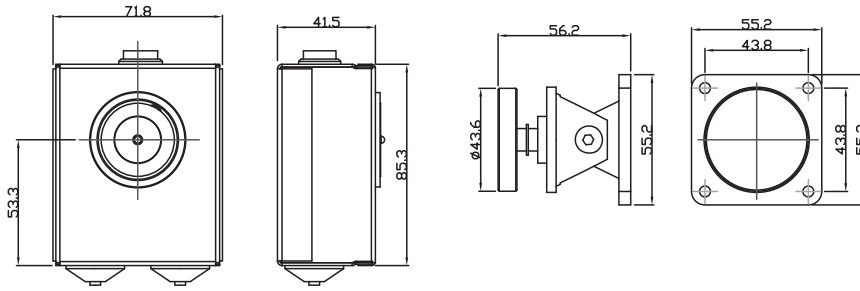
Satin Chrome
Plate

Technical specifications

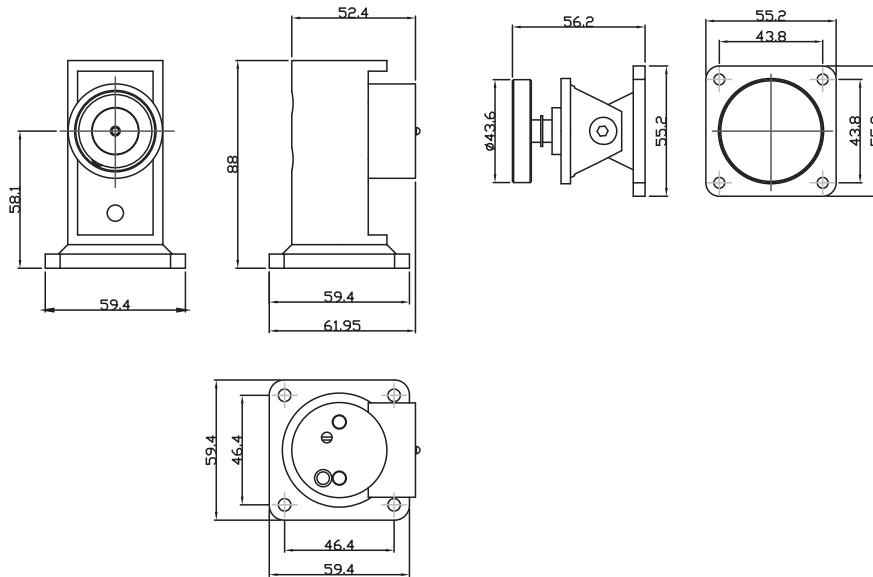
Model	R40	R40PCV	R40PCH
Mounting	Wall	Floor	Wall (extended)
Holding strength	Up to 25kg		
Voltage / Current	12VDC/160mA	24VDC/80mA	
Dimensions	See drawings on the next page		

Mounting details

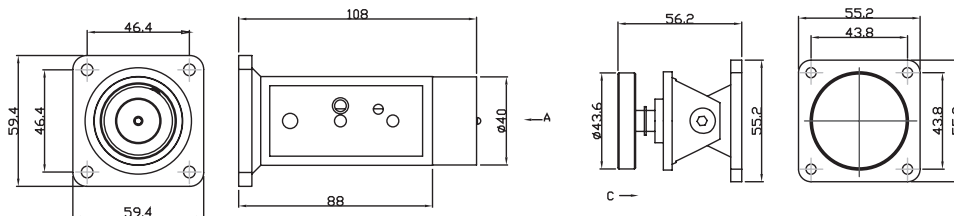
R40



R40PCV



R40PCH



Testing and Compliance



Fire:
 Tested to 2 hours on fire door assemblies as specified in AS/NZ
 1905.1 – 1997 Part 1 Fire Resistant Doorsets