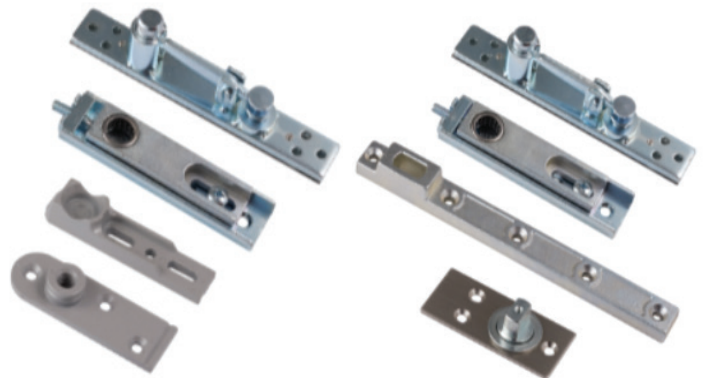


Briton

7500 Series

Pivot set



The Briton 7500 Series is designed to accommodate architectural and oversized doors. Pivot sets provide a seamless way of hanging doors, with the option to be swinging in either direction. It suits doors with a minimum thickness of 40mm, and a width up to 1400mm.

Each pivot set comes complete with top and bottom pivots and door components, including all required parts to complete installation on either a timber or metal door.

Features

- Adjustable top pivot set
- Stainless steel cover plate for top pivot
- Suitable for timber and metal doors. Supplied with all required fixings
- Needle roller bearing for top pivot
- Suited to doors with a minimum thickness of 40mm and a width up to 1400mm. Maximum door weight is 250kg
- Height adjustable bottom strap for easier installation

Warranties	
Mechanical	10 years
Finish	allegion.co.nz/finisheswarranty

Specification guide

Model	Finish
Pivot set.....7500	Satin stainless steel.....SSS

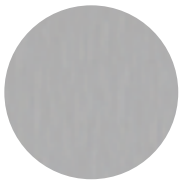
1. Model

Select the desired function e.g. Pivot set.....7500

2. Finish

Select the desired finish e.g. Satin stainless steel.....7500SSS

Finish



SSS

Satin Stainless
Steel

Specifications

Door type	Timber or metal
Door weight	Maximum 250kg
Door thickness	40mm minimum
Door size	1400mm maximum
Material	Aluminium, carbon steel, and stainless steel
Supplied as	Trade pack with screws

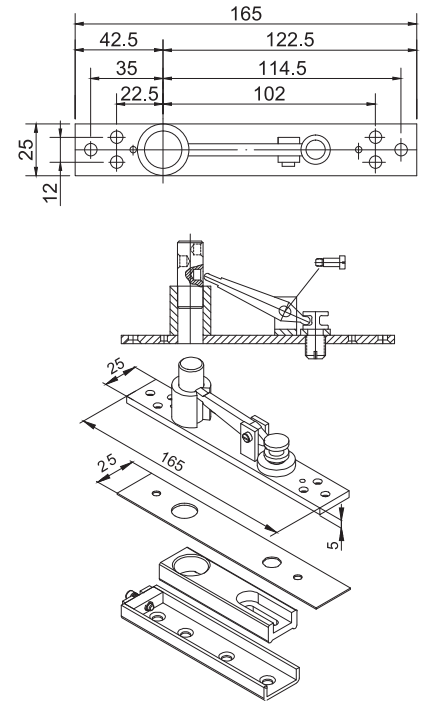
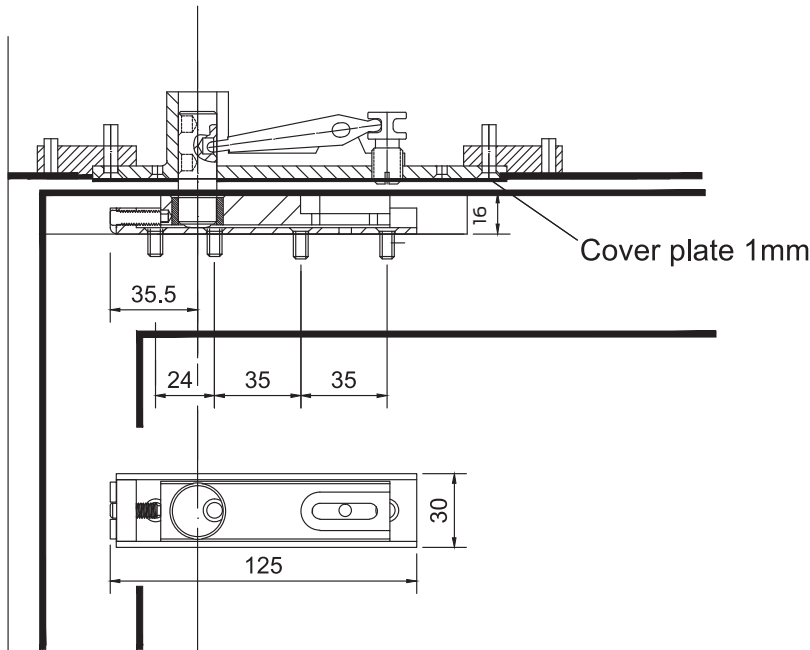
Mounting details

Concealed mounting

The bottom pivot is attached to the floor and the top pivot is anchored to the head frame. A minimum door thickness of 40mm is required. Recommended minimum distance from jamb to pivot centre line is 70mm.

Recommended minimum door clearance is 3mm at top of door and 5mm at bottom of door.

Top pivot



Bottom pivot

