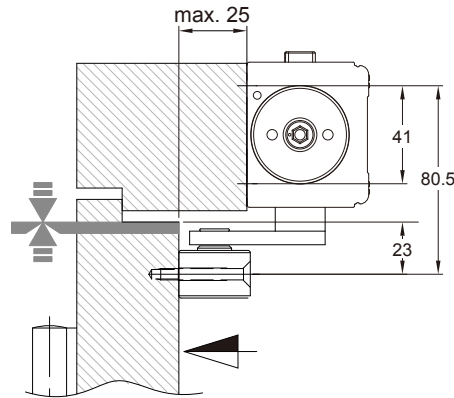
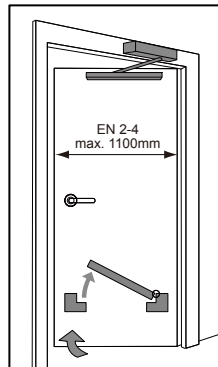
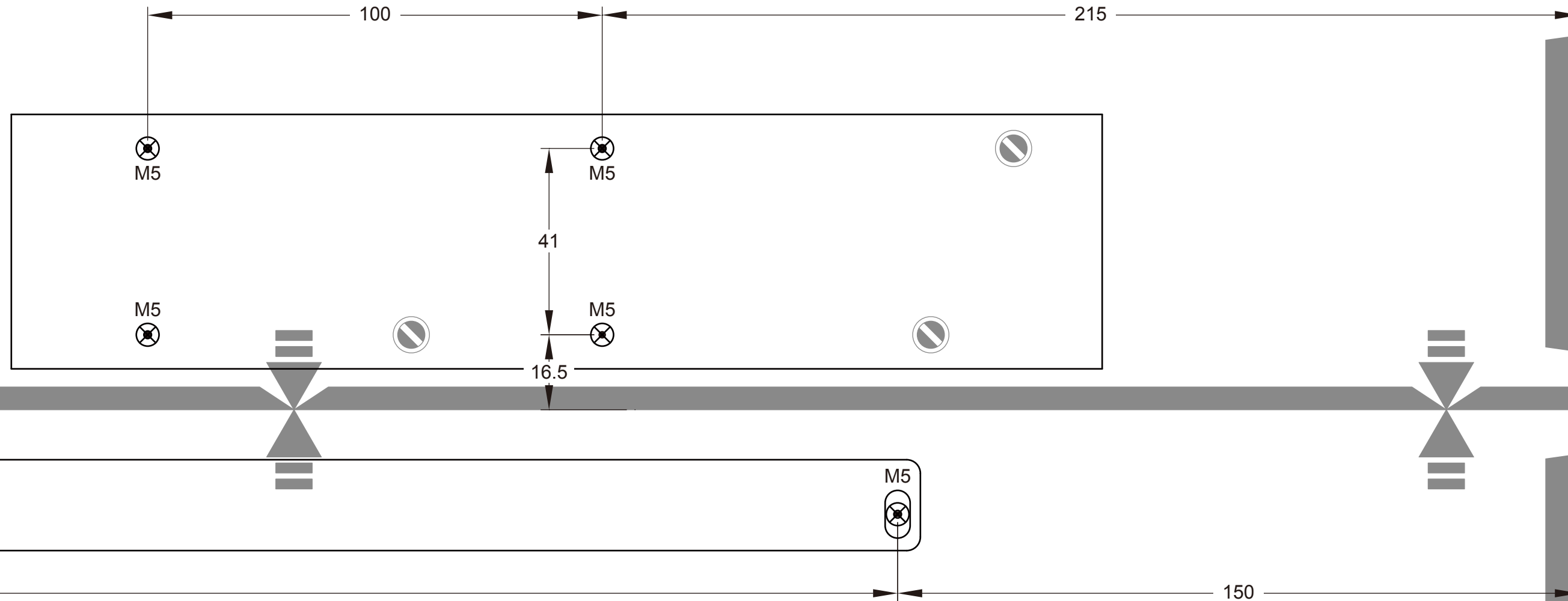


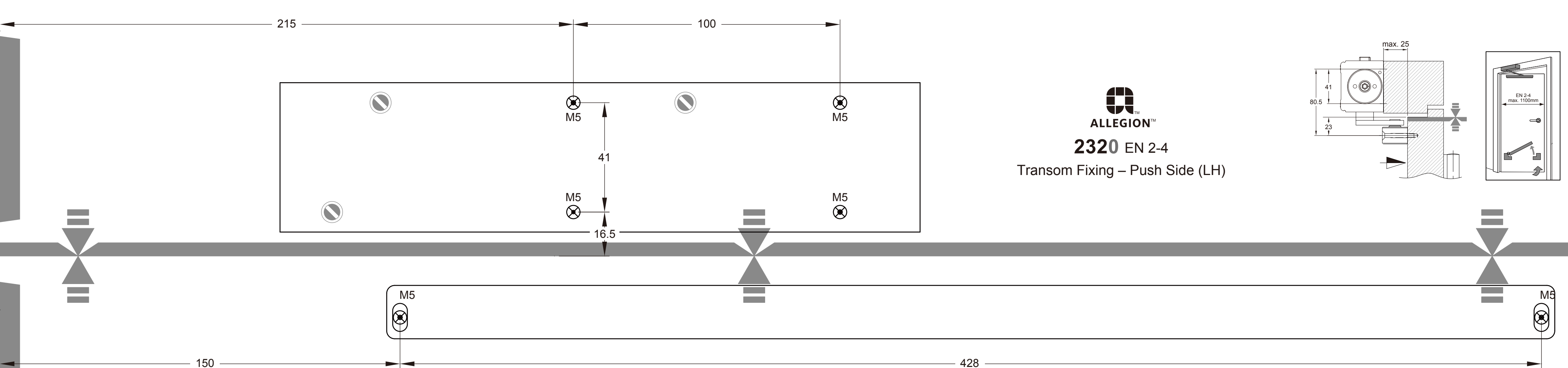
10506 ZINC-T0xxx-5K(T0036)



2320 EN 2-4

Transom Fixing – Push Side (RH)

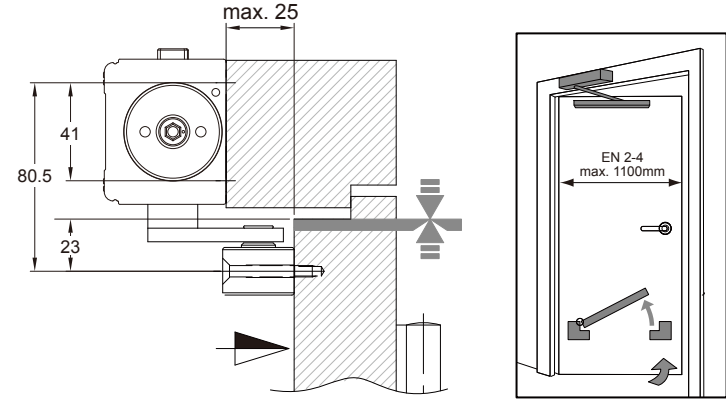




ALLEGION™

2320 EN 2-4

Transom Fixing – Push Side (LH)



150

428